

PARAFIL FITTINGS

⊙ Parafil turnbuckle

⊙ End – fork

⊙ End – eye

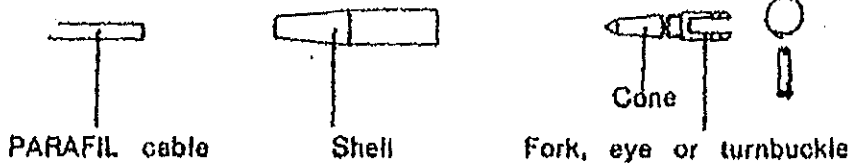
(all for ϕ 7mm rope)

The use of parafil fittings makes a simple, quick and clean connection to parafil cable. Correct mounting ensures the connection a resistance equal to that of the cable itself.

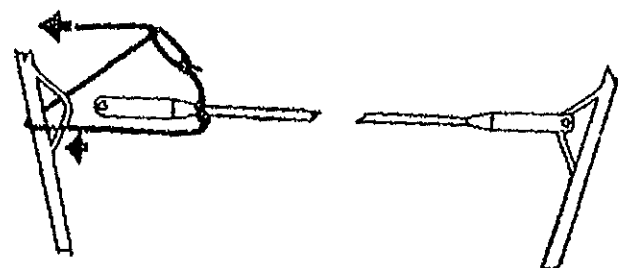
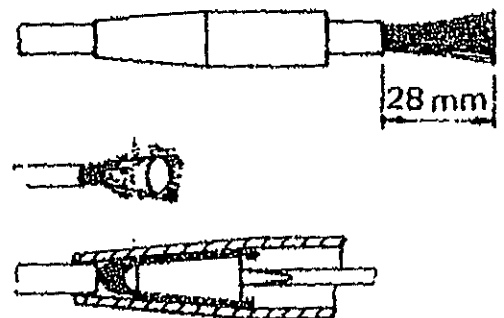
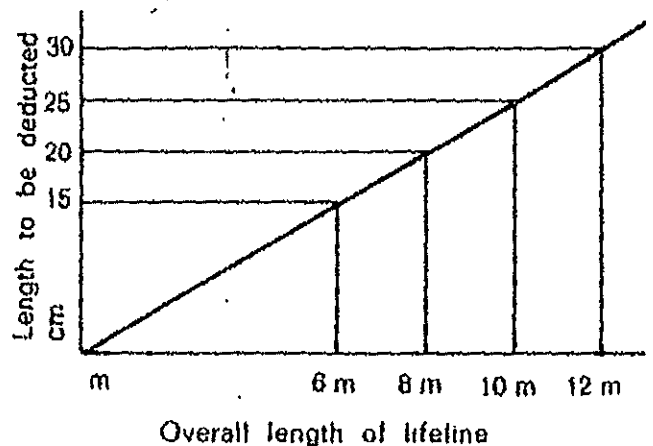
INSTALLATION OF A LIFELINE AND MOUNTING OF THE FITTINGS

Elongation under load of the parafil cable is directly proportional to the load which is 6% at the breaking strength, 2% at 30% of the breaking strength, etc.

To allow for a proper installation, pre-stretching of the cable is advisory. Please follow the method suggested:



1. Measure the overall length of the lifeline.
2. Deduct for pre-stretching a certain length corresponding to the length of the lifeline (see diagram).
3. Deduct 48mm for the fork and eye ends, 195mm for a turnbuckle fitting. Cut the rope at the required length.
4. Unscrew the fork, eye or turnbuckle end and insert the rope in the fitting.
5. Make a small cut at 28mm from the end of the rope, then bend the rope and strip the core.
6. Separate the fibers. Insert the cone in the middle and spread the fibers around it.
7. Push the cone inside the fitting with the end of a screw driver, holding the rope with the other hand.
8. Screw fork, eye or turnbuckle end.
9. Important: pull strongly to prestress the cones and avoid slackening.
10. Tension lifeline as shown on the drawing.
11. Insert the axle and ease the tension.



Pre-stretching is recommended for all types of fittings, with or without turnbuckle.